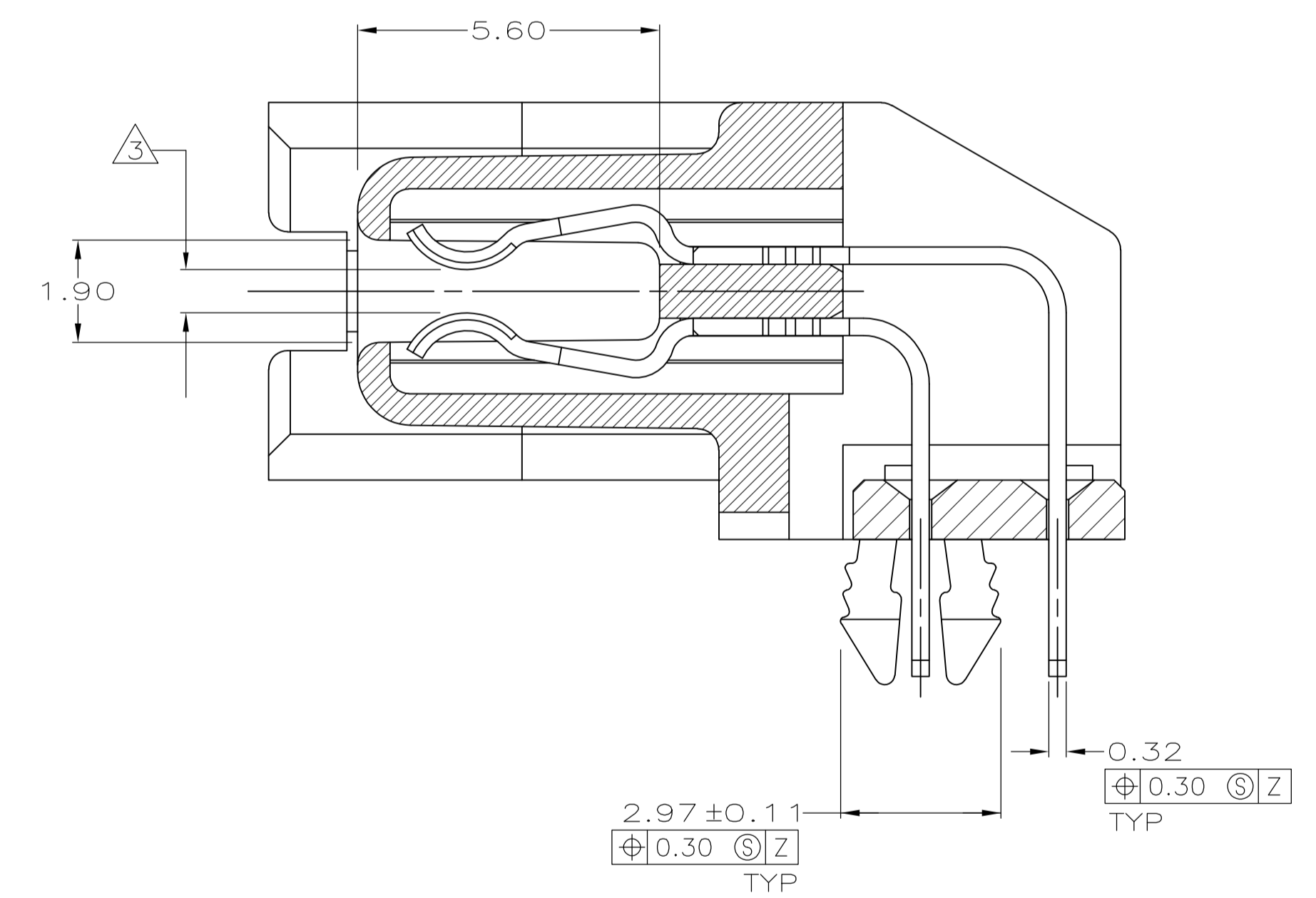
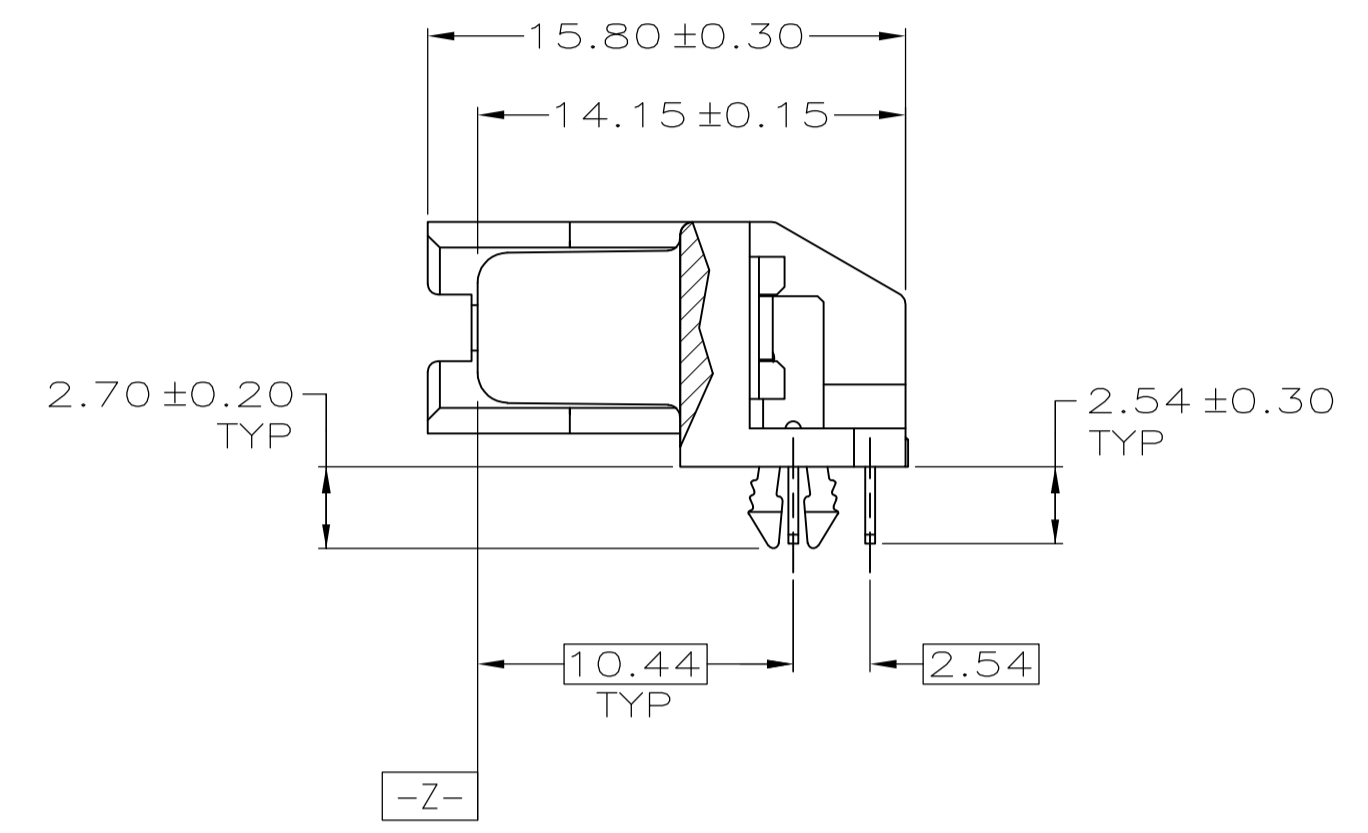


RECOMMENDED PC BOARD MOUNTING DIMENSIONS COMPONENT SIDE

- 1 HOUSING: LCP, UL 94V-0 RATED, BLACK.
TINE PLATE: SPS, UL 94V-0 RATED, BLACK.
TERMINALS: PHOSPHOR BRONZE.
RETENTION LEGS: BRASS.
- 2 TERMINALS: 0.38 μm MIN GOLD FOR A LENGTH 1.20 MIN STARTING 0.50 MAX FROM MATING END, 3.81 μm MIN TIN-LEAD FOR A LENGTH OF 3.40 MIN FROM OPPOSITE END, BOTH OVER 1.27 μm MIN NICKEL.
RETENTION LEGS: 3.81 μm MIN TIN-LEAD OVER 1.27 μm MIN NICKEL.
- 3 CONNECTOR WILL ACCOMMODATE MATING PRINTED CIRCUIT BOARD OF 1.60 ± 0.07.
- 4 TERMINALS: 0.38 μm MIN GOLD FOR A LENGTH 1.20 MIN STARTING 0.50 MAX FROM MATING END, 3.81 μm MIN TIN FOR A LENGTH OF 3.40 MIN FROM OPPOSITE END, BOTH OVER 1.27 μm MIN NICKEL.
RETENTION LEGS: 3.81 μm MIN TIN OVER 1.27 μm MIN NICKEL.



SECTION B-B
SCALE 10:1

YES	4	80	787915-2
NO	2	80	787915-1
LEAD FREE	FINISH	NO OF POSN	PART NUMBER

THIS DRAWING IS A CONTROLLED DOCUMENT.

DIMENSIONS: mm	TOLERANCES UNLESS OTHERWISE SPECIFIED:	DIN B1 MCMMASTER 29MAR04	DRW S. SHUFY 29MAR04	APVD M. WALMSLEY 29MAR04	NAME	
0 PLC ± -	1 PLC ± -	2 PLC ± 0.10	3 PLC ± -	4 PLC ± -	ANGLES ± -	
MATERIAL	FINISH SEE TABLE	WEIGHT	SIZE	CAGE CODE	DRAWING NO	RESTRICTED TO
			A1	00779	787915	

CUSTOMER DRAWING SCALE 4:1 SHEET 1 OF 1 REV G

STE TE Connectivity

RECEPTACLE ASSEMBLY, RIGHT ANGLE, BOARD-TO-BOARD, .050, SERIES I, CHAMP BLINDMATE